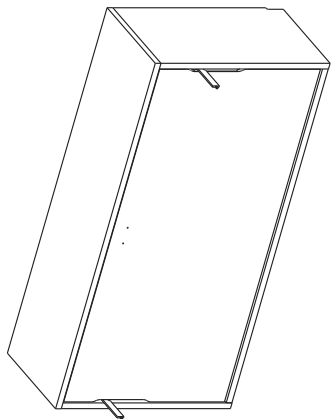
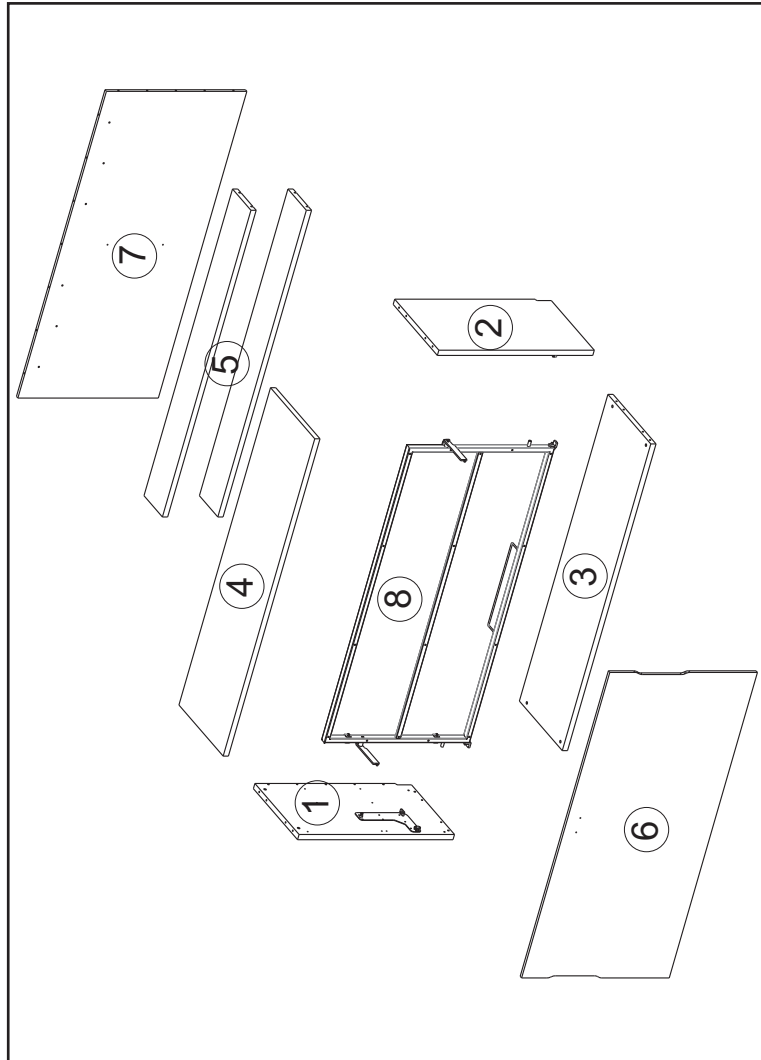


P-476-V1



Ref:
 7626AF,7626F,
 7626BF,7626AM,
 7626M,7626BM,
 L7626AF,L7626F,
 L7626BF,L7626AM
 L7626M,L7626BM



ASSEMBLY TIME

60'	15'
45'	30'
45'	

Component 1: 1038 x 35

Component 2: 1038 x 35

Component 3: 986 x 35

Component 4: 1038 x 35

Component 5: 938 x 35

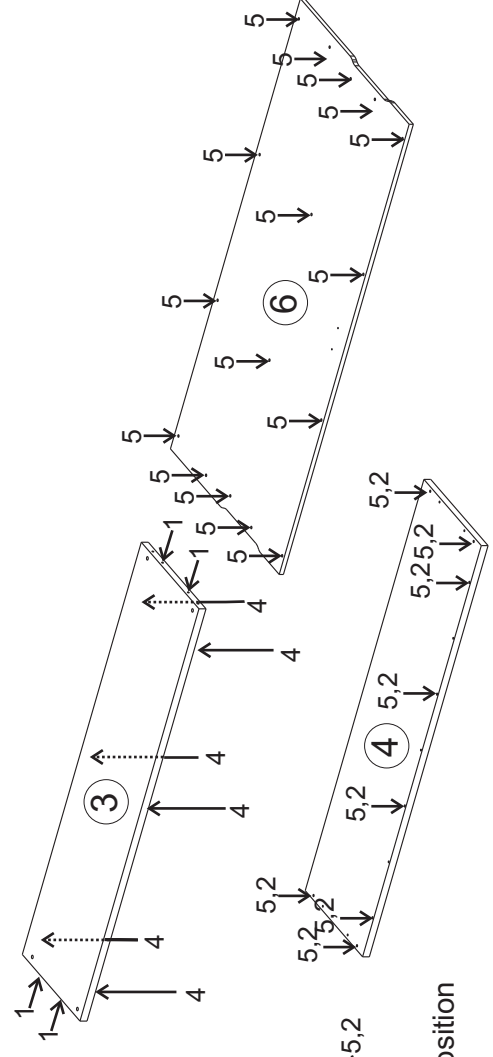
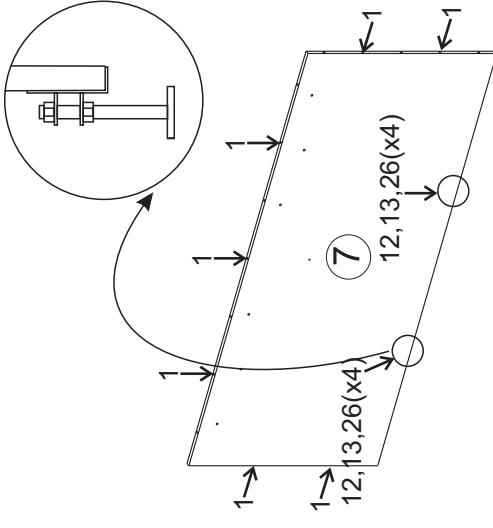
Component 6: 986 x 19

Component 7: 938 x 19

Component 8: 938 x 35

Component 5 x 2

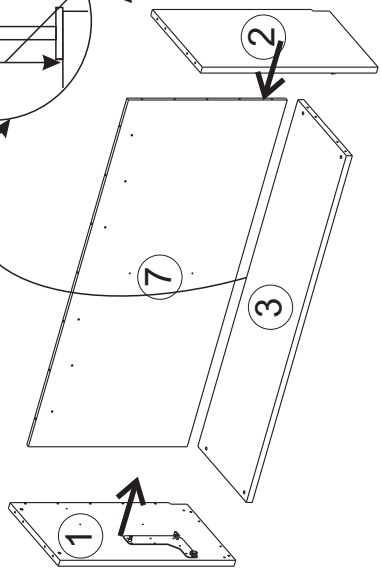
Ros, SA
 C/ra. de Lluïsa Remolins, 17
 25730 Artesa de Segre, Lleida, España
 Tel.: + 34 973 40 03 29 - fax: + 34 973 40 00 88
 e-mail: comercial@ros1.net - www.ros1.com



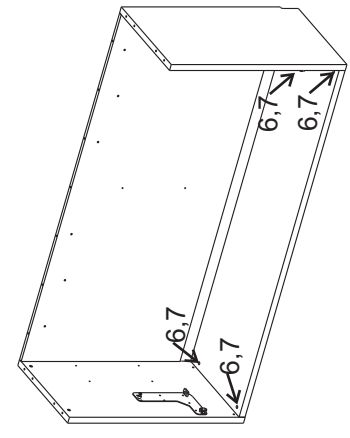
Assemble hardware n° 3 in lower position

1-060020	x15	2-071013	x18	3-079088	x4	4-076205	x6	5-070100	x34	8-074317	x2	9-074318	x2	10-072126	x16	12-079089	x2	13-079079	x2	26-072420	x8
----------	-----	----------	-----	----------	----	----------	----	----------	-----	----------	----	----------	----	-----------	-----	-----------	----	-----------	----	-----------	----

2



Adjust height to fit correctly to pieces 1 and 2



6-071012	x4	7-079107	x10	11-071014	x6
----------	----	----------	-----	-----------	----



ROS1, SA
 Ctra. de Lleida Km 47
 25730 Artesa de Segre, Lleida - España
 tel.: + 34 973 40 03 29 - fax.: + 34 973 40 00 88
 e-mail: comercial@ros1.net - www.ros1.com

3

6-071012 17-079107 11-071014

x4 x8 x4

4

Before fastening to wall use the hardware n°3 to secure perfect leveling.

14-071142 15-079005

x6 x6

90°

5

16-071313 17-071314 18-072310

x10 x10 x10

6

25-071115 24-071141 20-072453 21-079101 22-072456

x2 x4 x4 x2 x2

50mm 25mm x12 x4

7

19-079087 20-072453 21-079101 22-072456

x2 x2 x2 x3

23-071115 24-071141 27-079010 28-071346 29-072456

x12 x4 x6 x6

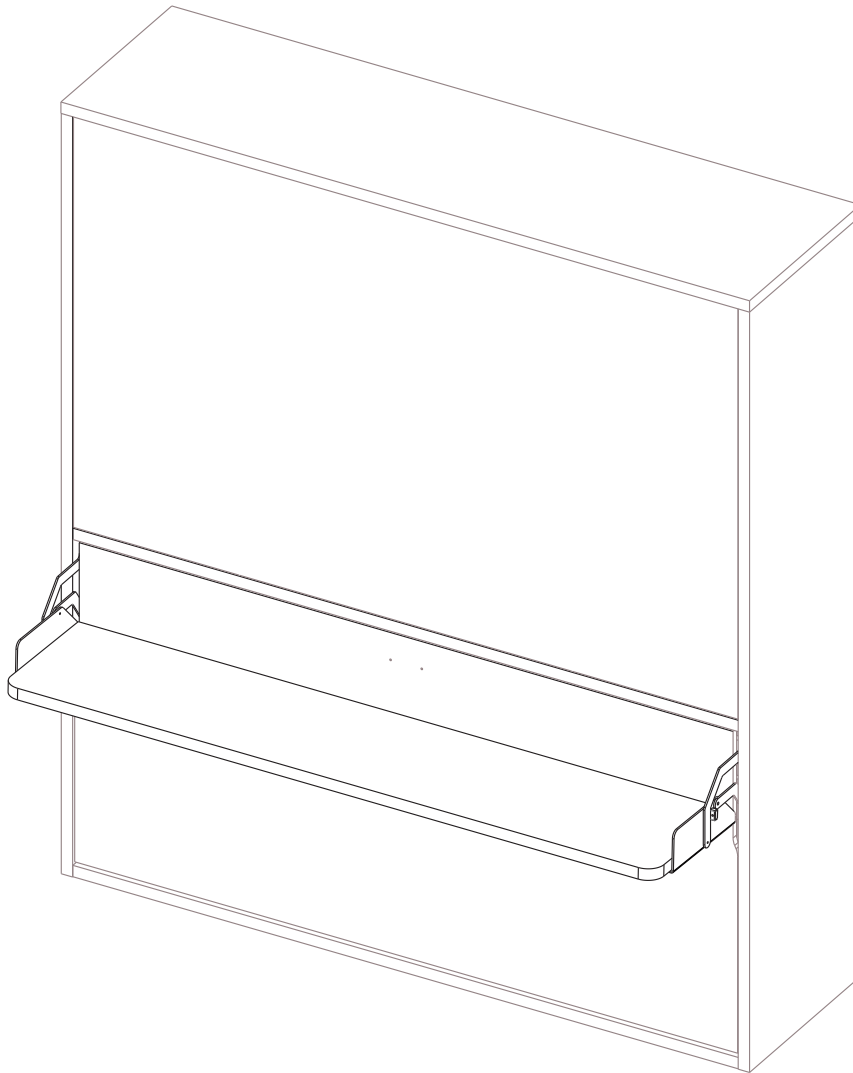


ROS1, SA
 Ctra. de Lleida Km 47
 25730 Artesa de Segre, Lleida - España
 tel.: + 34 973 40 03 29 - fax.: + 34 973 40 00 88
 e-mail: comercial@ros1.net - www.ros1.com

P-532-V2

HERRAJE MESA ABATIBLE
199472

ROS1, SA
Ctra. de Lleida Km 47
25730 Artesa de Segre, Lleida - España
tel.: + 34 973 40 03 29 - fax.: + 34 973 40 00 88
e-mail: comercial@ros1.net - www.ros1.com



Ref.:BX1960

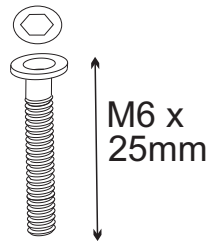


ASSEMBLY TIME

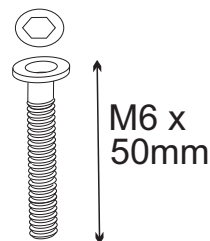
4 x
Ref. 070100



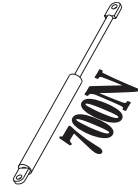
6x
Ref. 071141



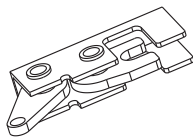
12x
Ref. 071115



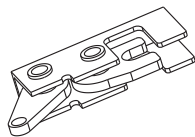
2 x
Ref. 079273



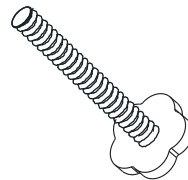
1 x
Ref. 074235



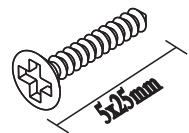
1 x
Ref. 074236



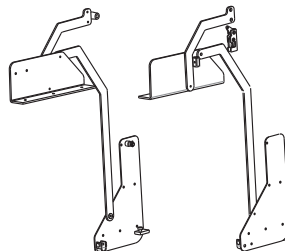
2 x
Ref. 079051



4 x
Ref. 072126



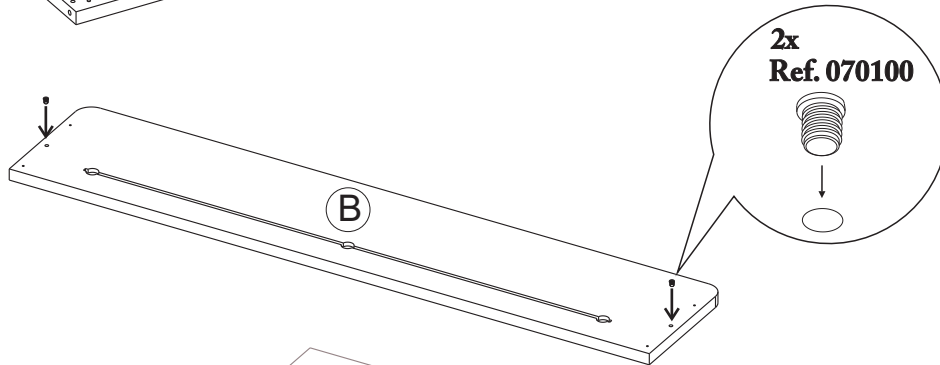
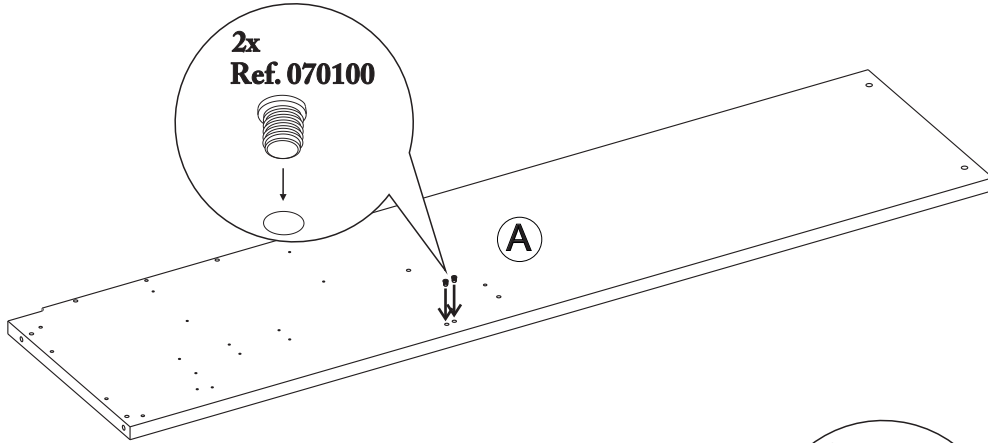
1 x
Ref. 074319



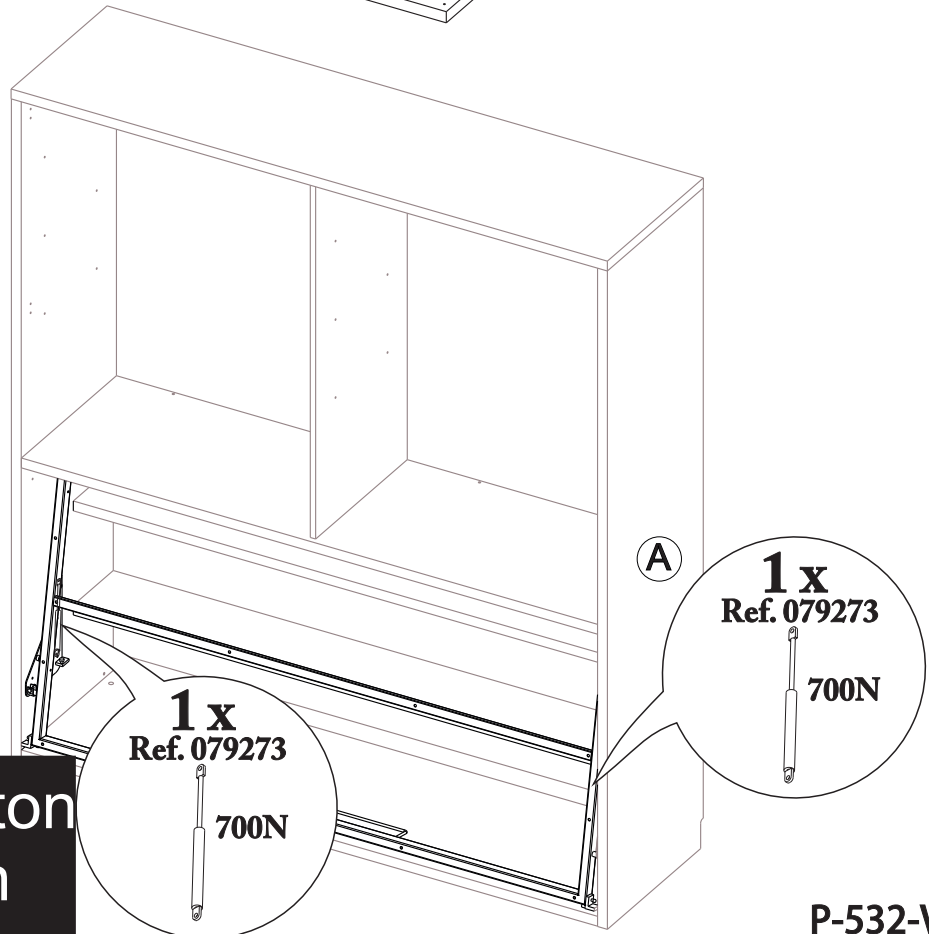
1



Steps for add the table in several types of modules:



2

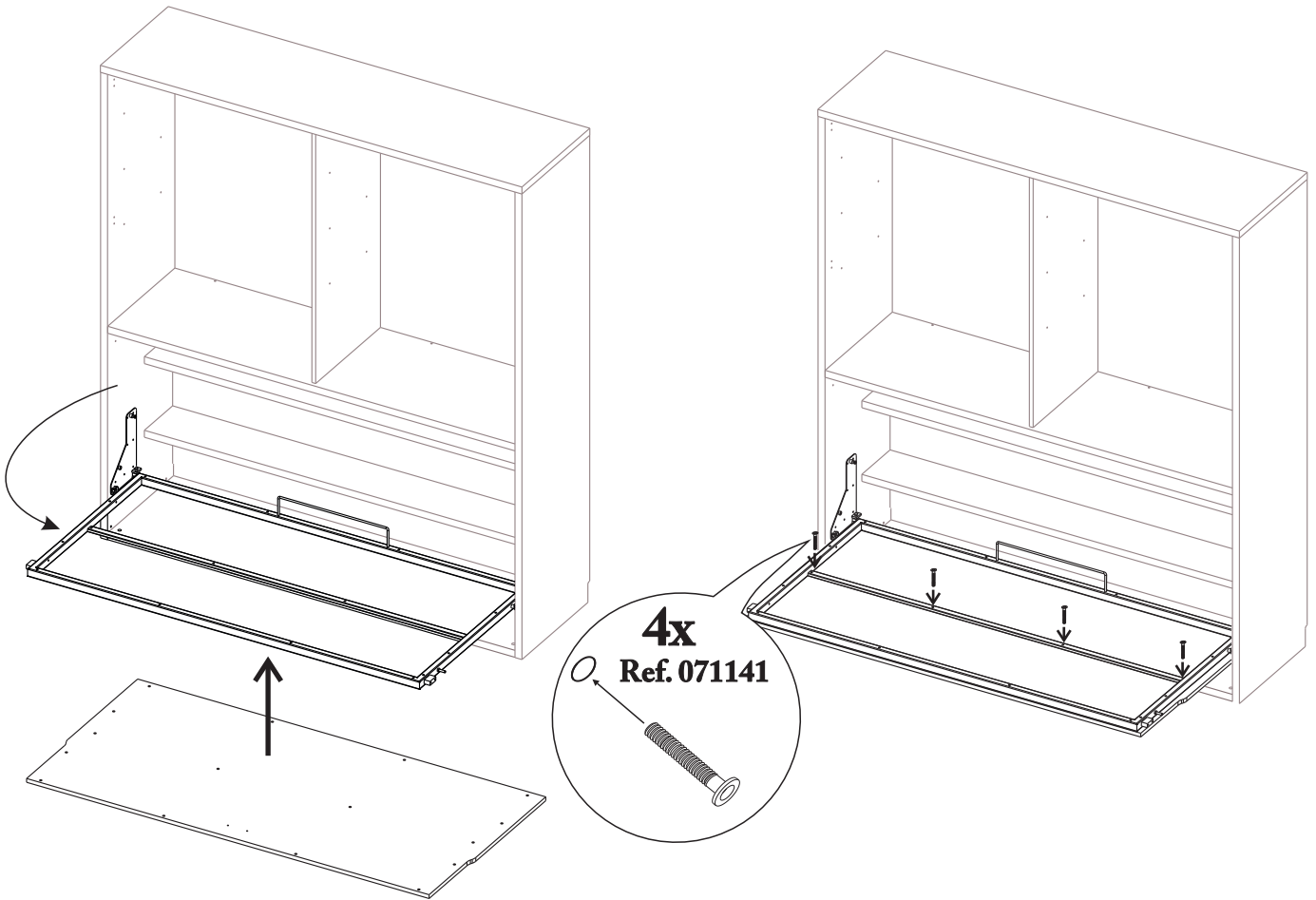


carefull: use piston
700N strength

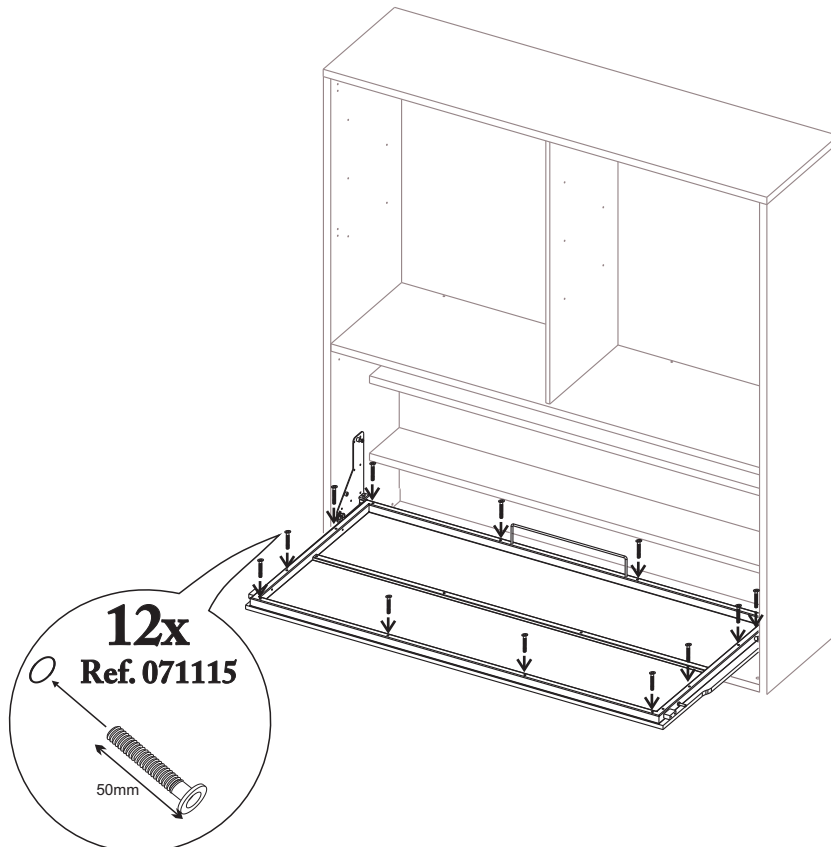
P-532-V2

3.

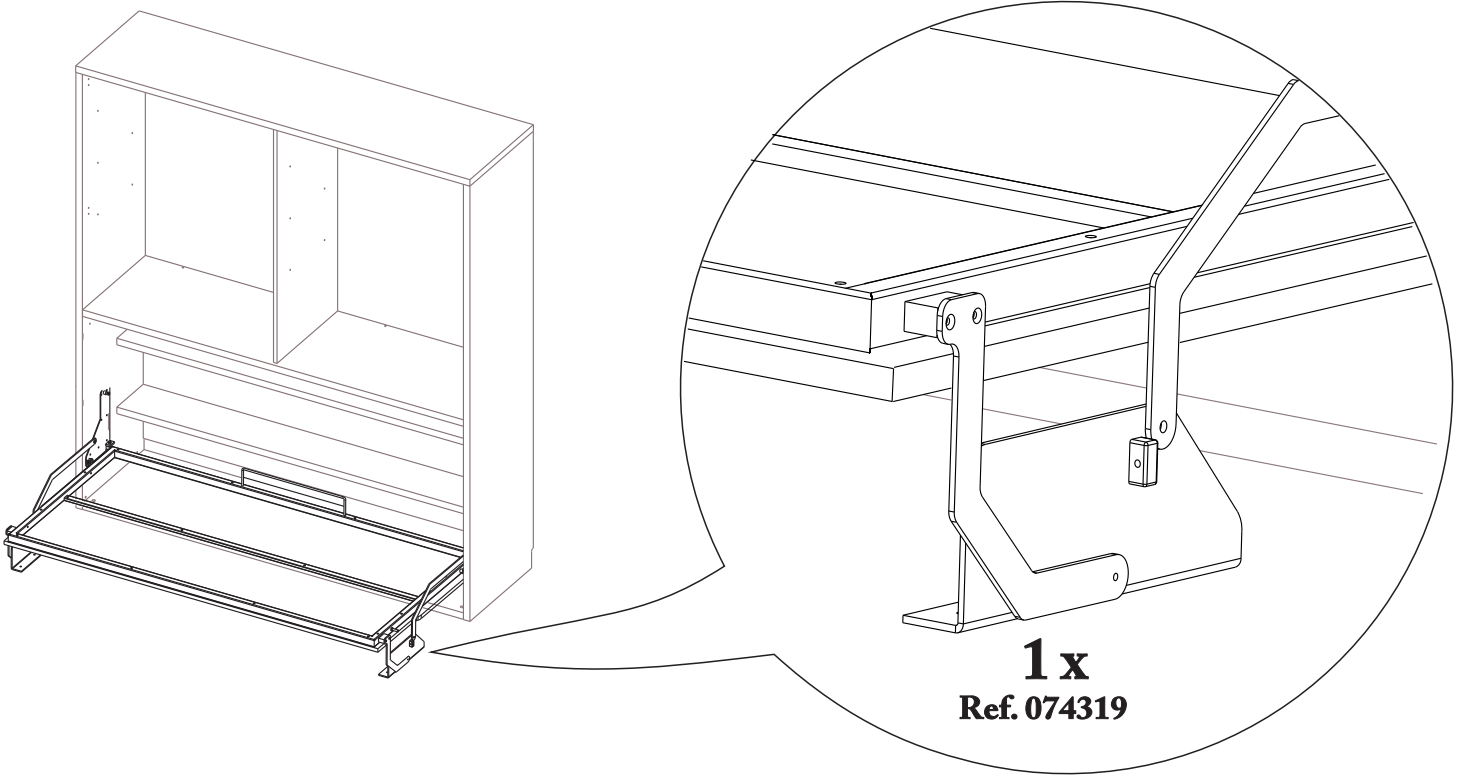
3



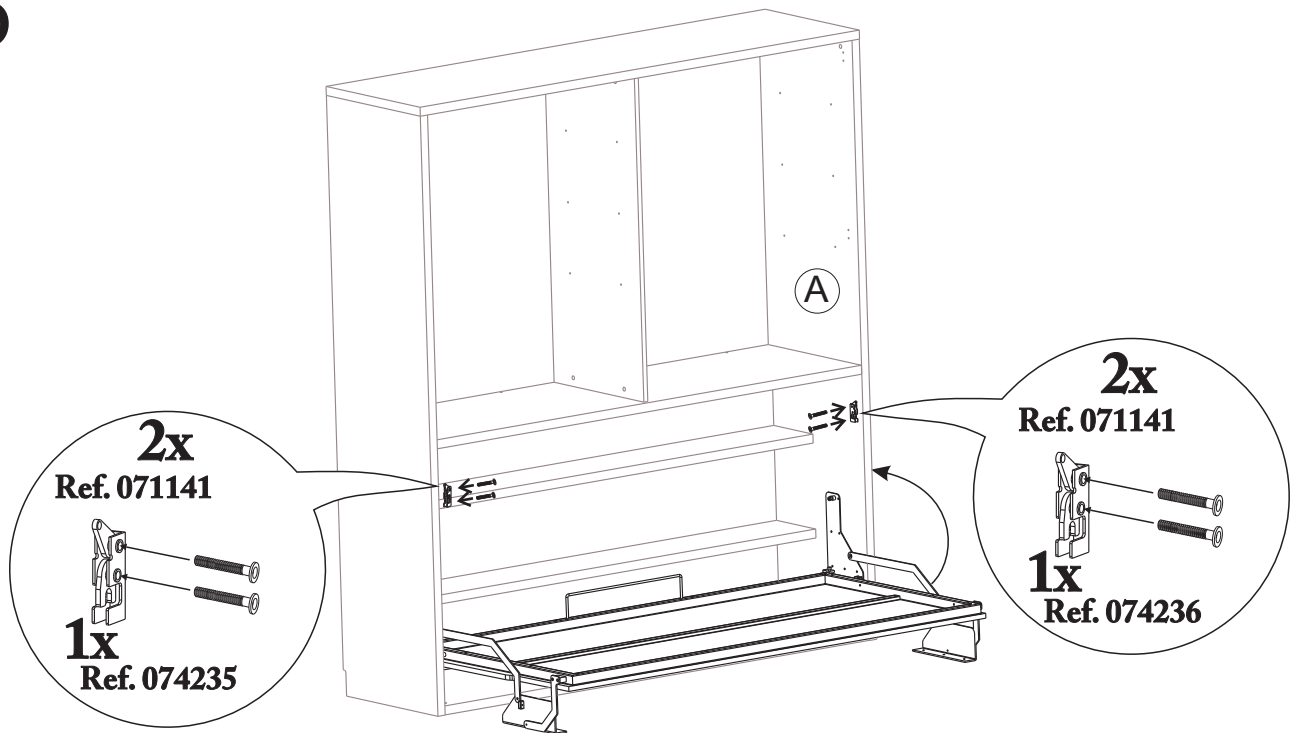
4



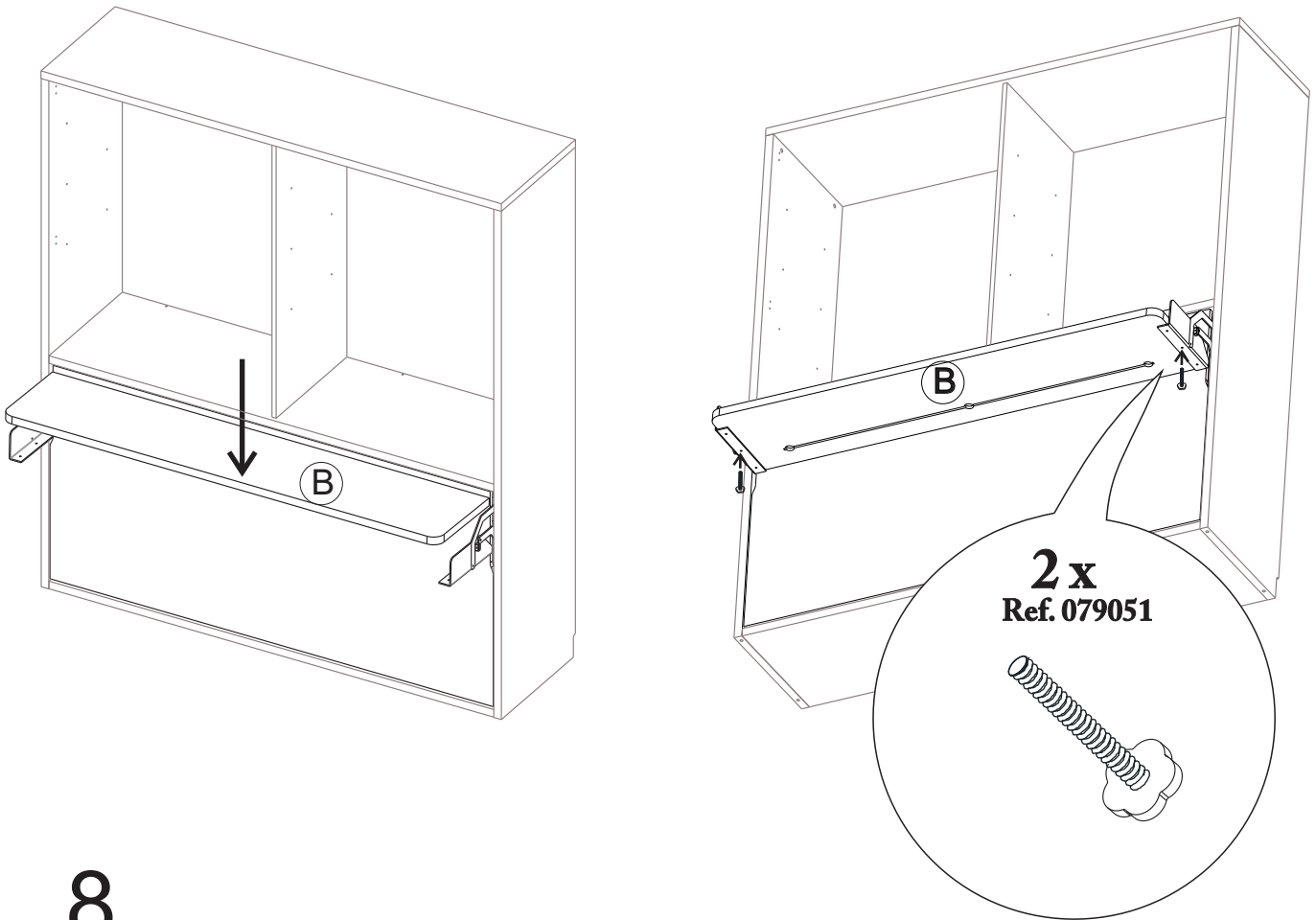
5



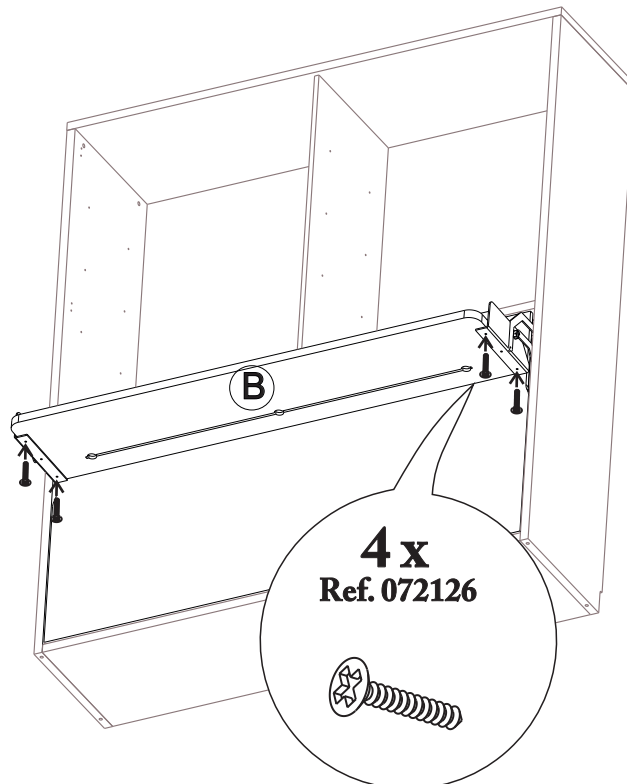
6



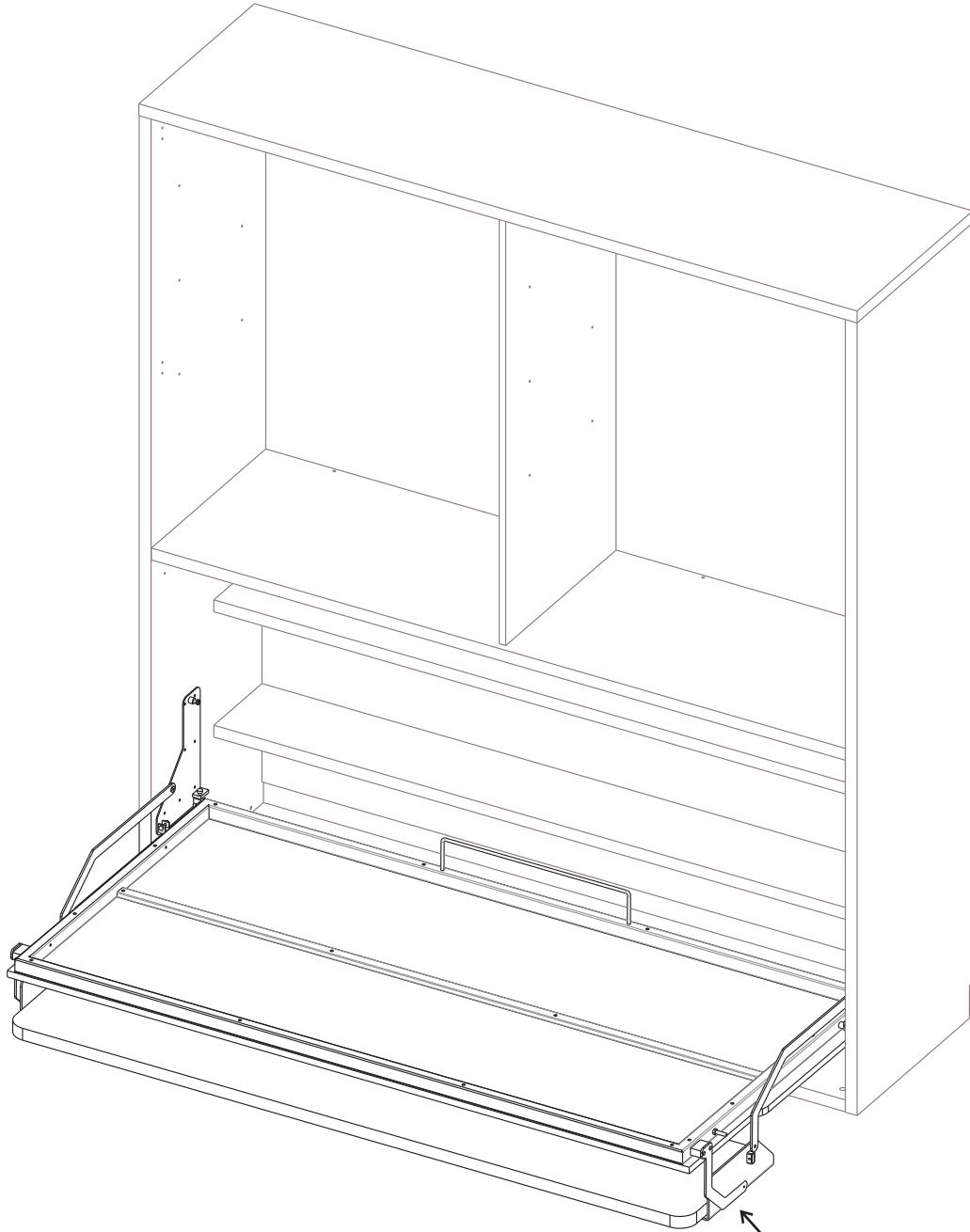
7



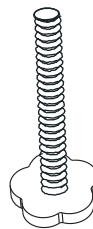
8



9

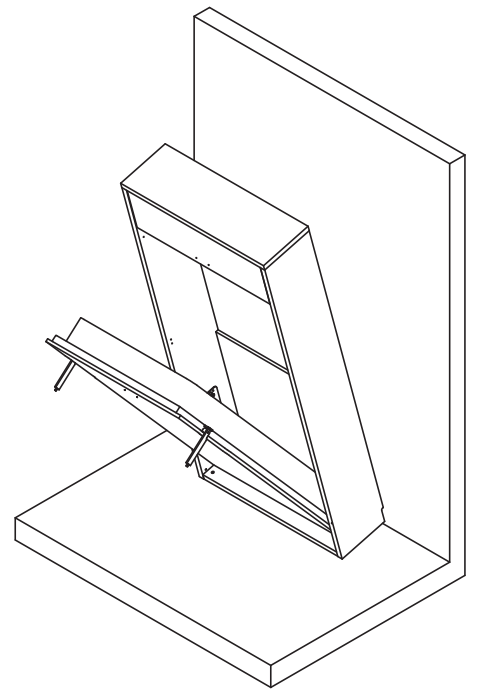


Adjust height hardware if is needed



**¡ATENCIÓN!
¡PELIGRO DE CAIDA
DE MUEBLE!**

**WARNING!
RISK OF FALL!**

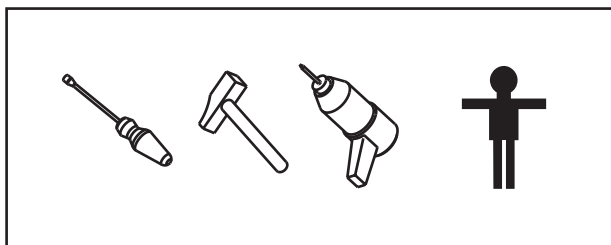
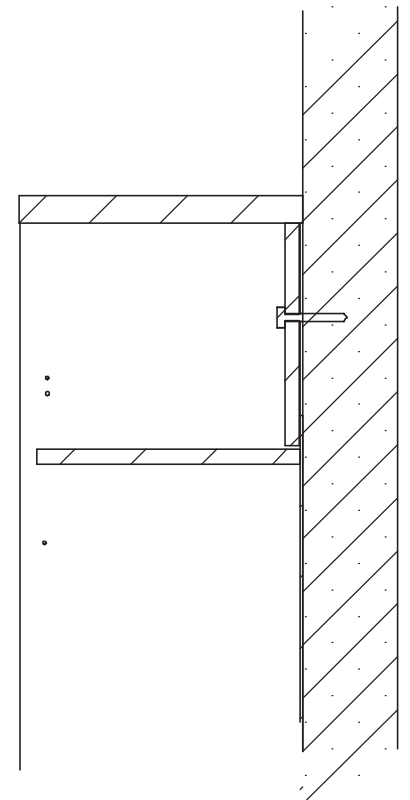


**IMPRESINDIBLE FIJAR
PRIMERO LA ESTRUCTURA A
LA PARED ANTES DE MONTAR
LA CAMA**

**(NO APTO PARA PAREDES PLADUR O
CARTON-YESO)**

**AT FIRST YOU HAVE TO
ATTACH THE STRUCTURE ON
THE WALL BEFORE SETTING
UP THE BED**

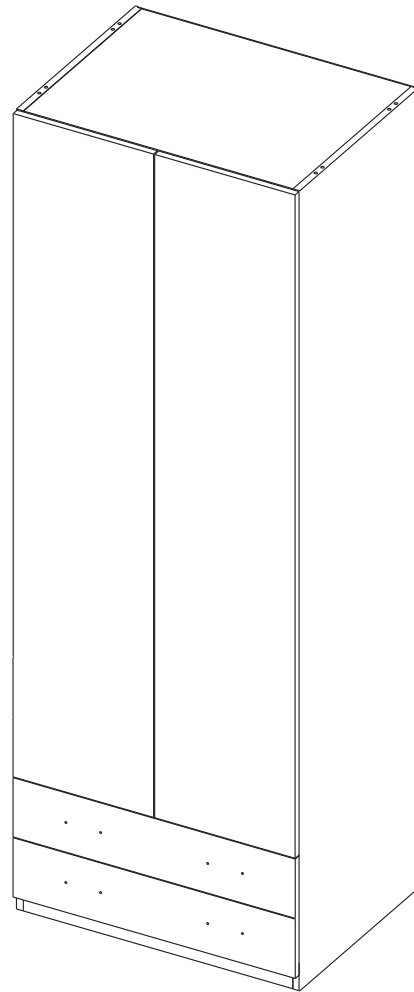
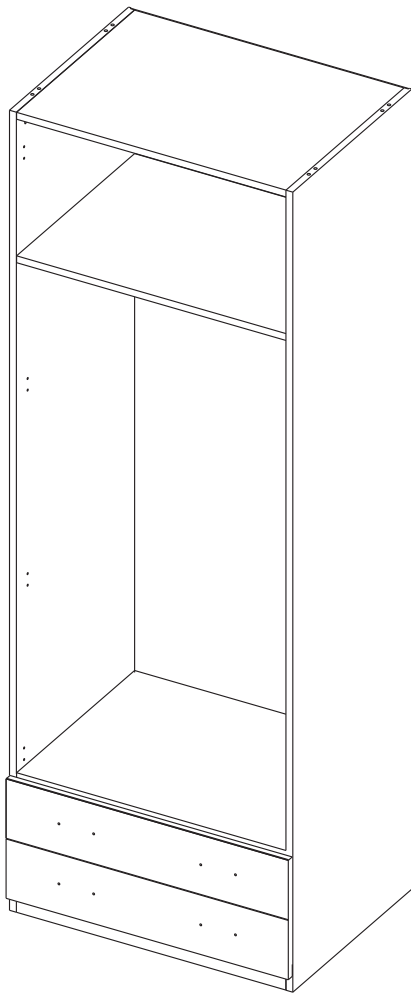
(PLASTERBOARD WALLS ARE FORBIDDEN)



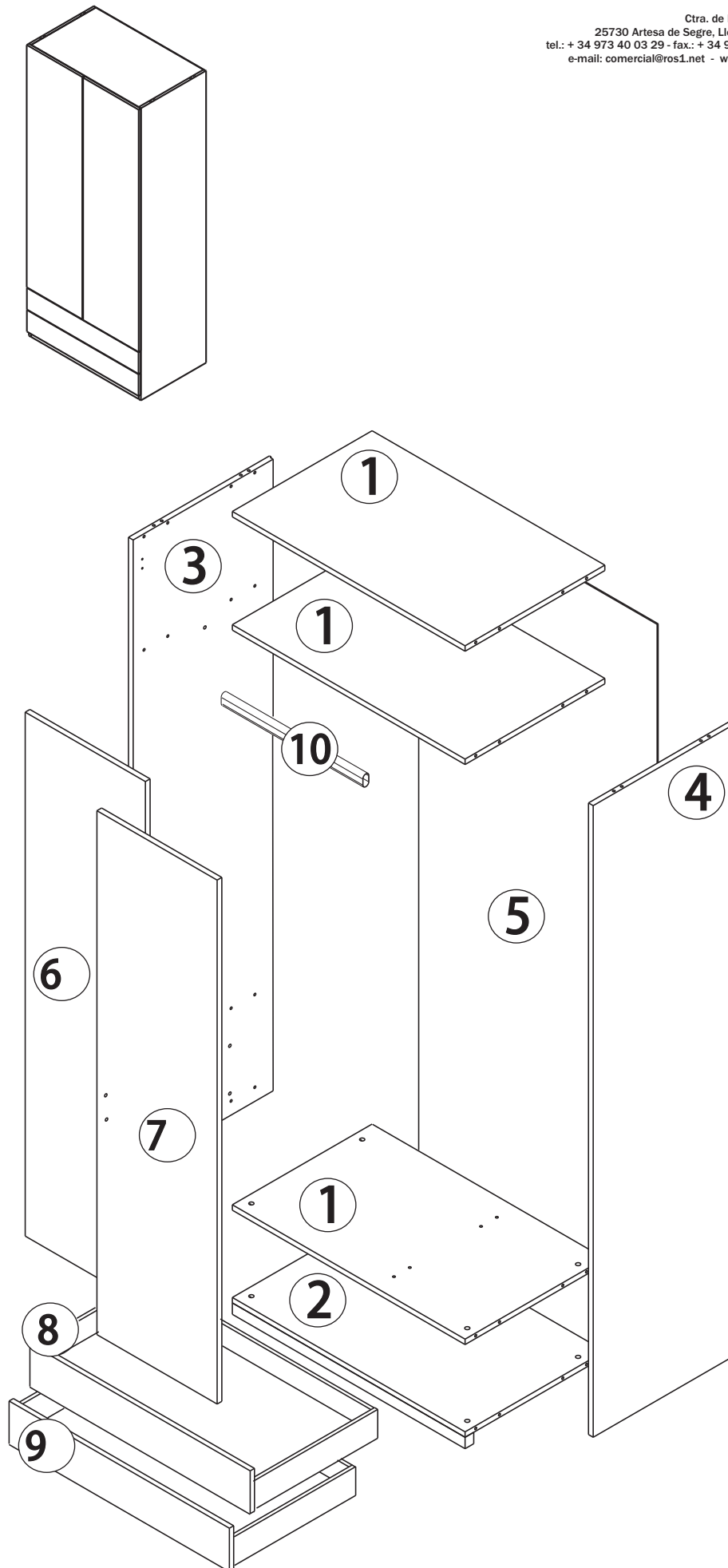
P-572-V1

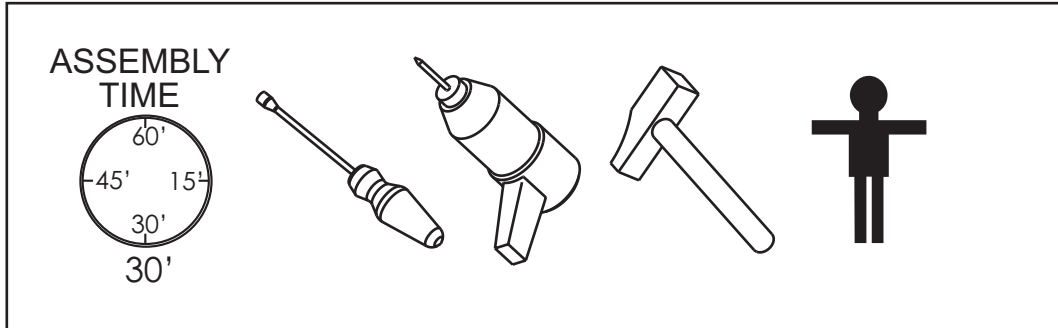
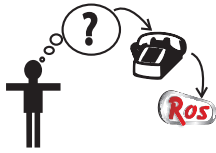
ARMARIOS
2 PUERTAS + 2 CAJONES
199433

ROS1, SA
Ctra. de Lleida Km 47
25730 Artesa de Segre, Lleida - España
tel.: + 34 973 40 03 29 - fax.: + 34 973 40 00 88
e-mail: comercial@ros1.net - www.ros1.com



REF.: 5918C, 5920C,
6216C, 6218C, 6220C, T6220C
2216C, 2220C





16x
Ref. 070100



16 x
Ref. 071013



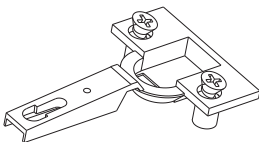
16 x
Ref. 071014



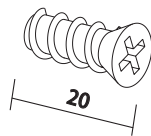
16 x
Ref. 079107



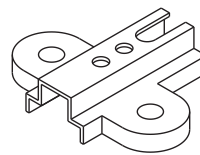
8x
Ref. 070581



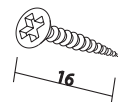
16x
Ref. 072425



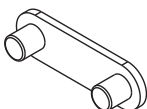
8x
Ref. 070588



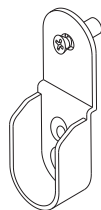
50 x
Ref. 072400



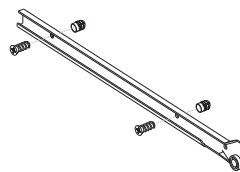
4 x
Ref. 072720



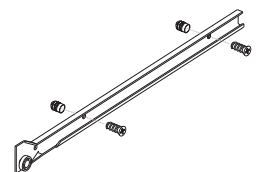
2 x
Ref. 06100

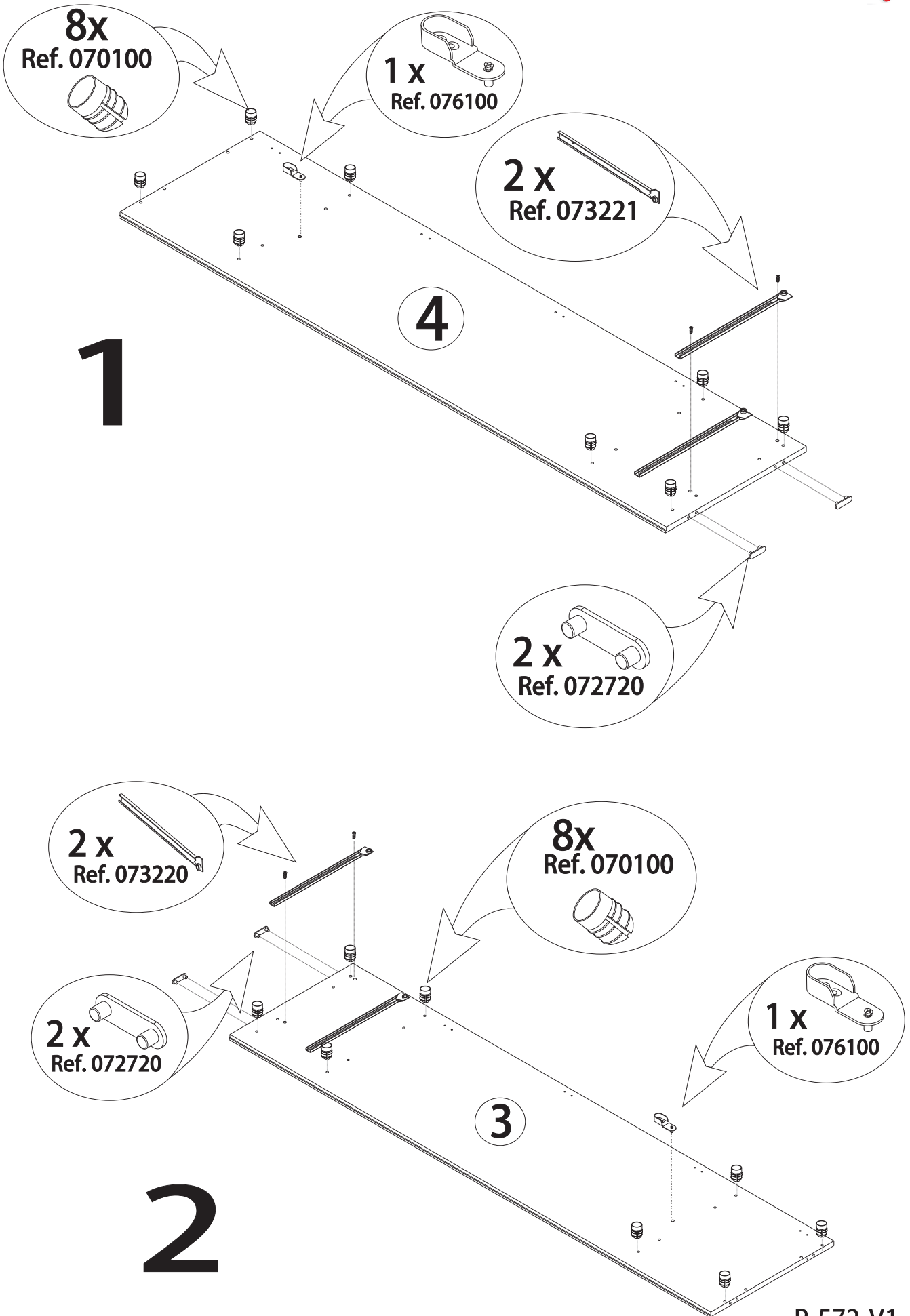


2 x
Ref. 073221

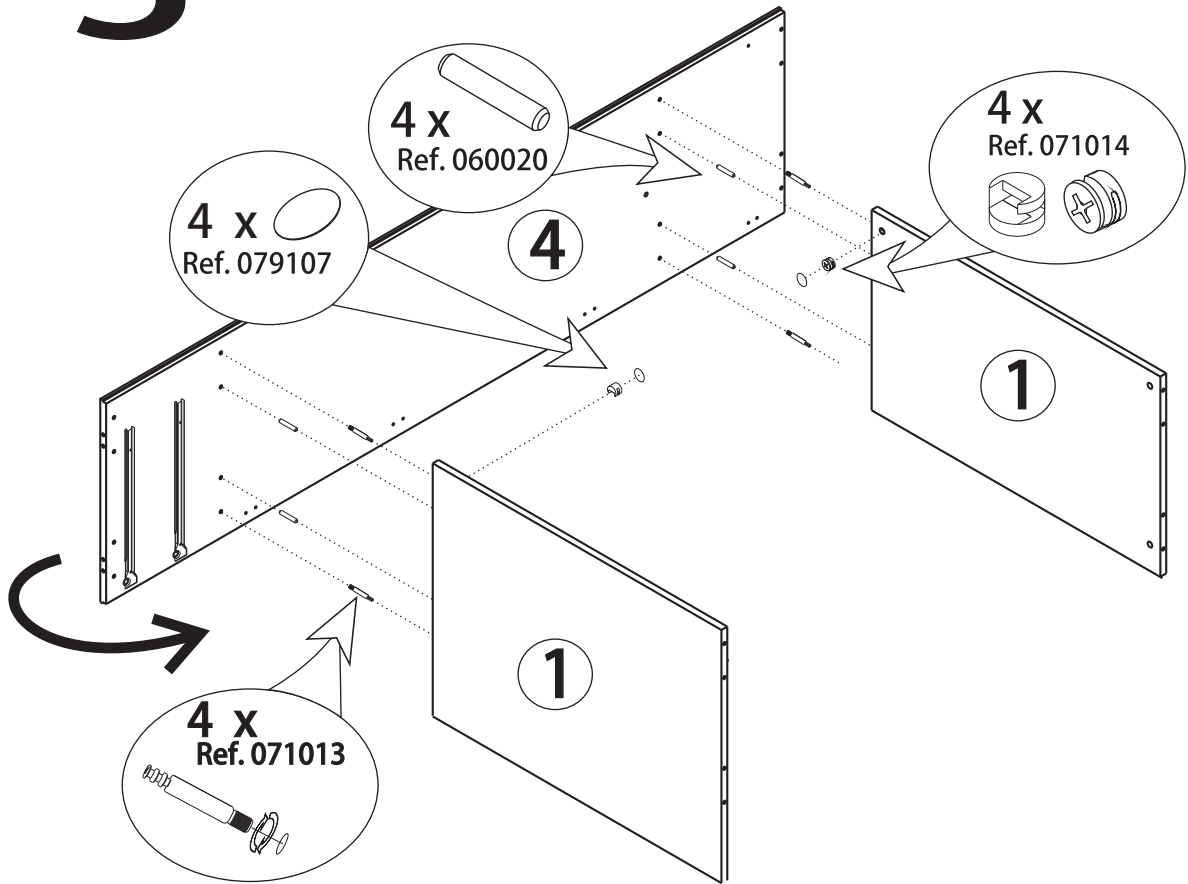


2 x
Ref. 073220

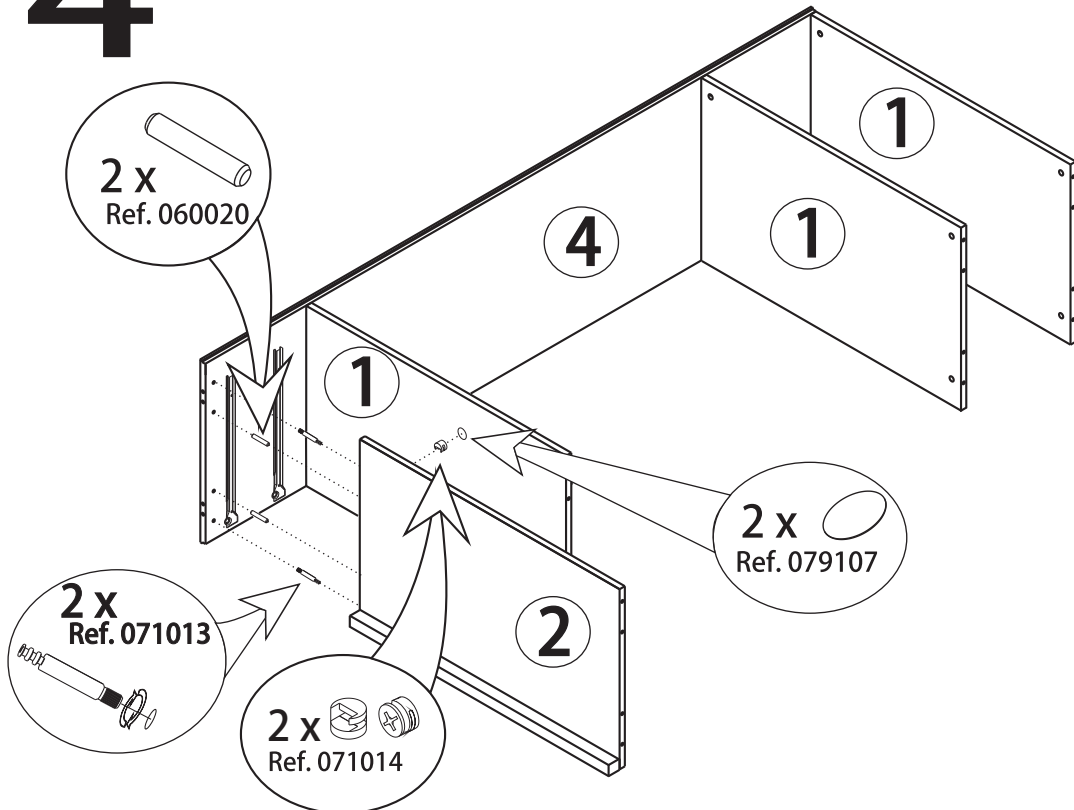




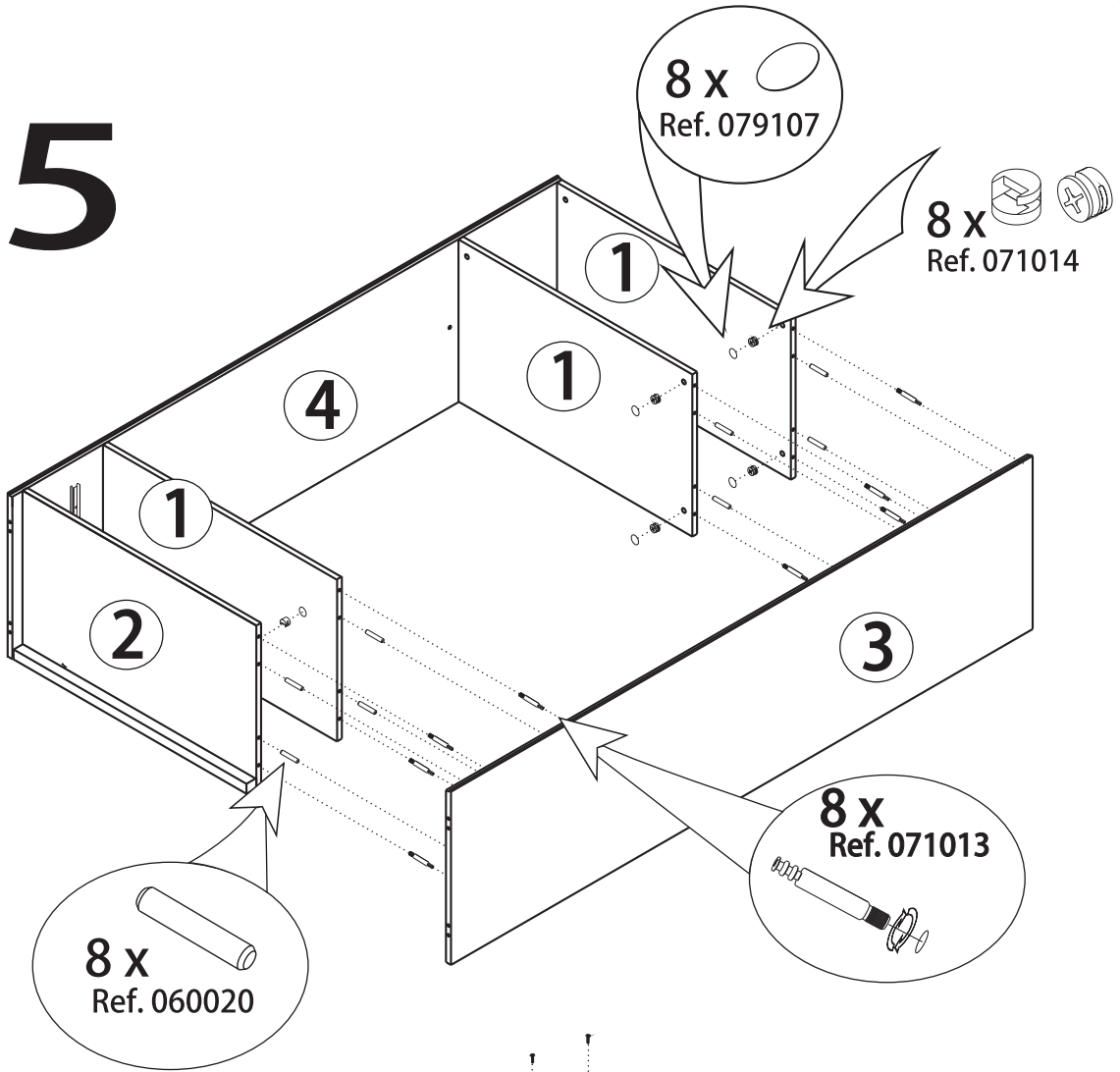
3



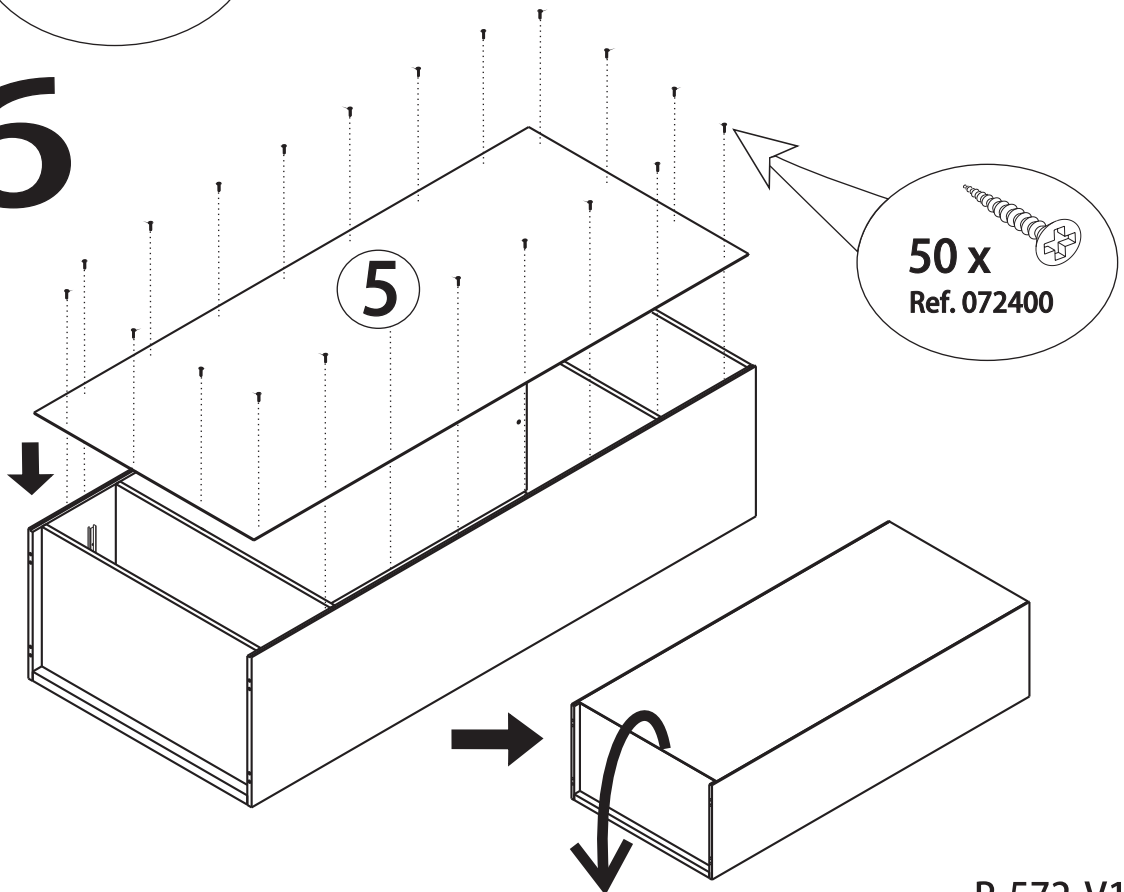
4



5



6



7

